

# Route 1

# Union



**LEGEND**

- Bus Route
- Numbered Timepoint
- Transit Center
- Transfer Point
- Connecting Routes
- Point of Interest
- Park/Ride Lot
- Hospital

©2014 MATA

**DOWNTOWN MEMPHIS**

**Hudson Transit Center**  
1,2,4,8,11,12,19,28,34,36,39,40,50,52,53,57

**Map Labels:** A W Willis Ave, Shadyac Ave, Jackson Ave, St. Jude's Childrens Research Hospital, Alabama Ave, Cook Convention Center, Civic Center, Court Ave, Poplar Ave, Danny Thomas, Lauderdale St, Madison Ave, Monroe Ave, Union Ave, Adams Ave, Riverside Dr, Beale St, Southwest Tennessee Community College.

**Note: Outbound trips serve Walnut Grove at Highland in both directions and both Walnut Grove and Poplar between Tillman and Highland in both directions by traveling Union > Poplar > Highland > Walnut Grove > Tillman > Summer > Vandalia > Broad > Tillman > Walnut Grove > Highland > Poplar > Tillman > Walnut Grove before ending at Walnut Grove at Racine**

**MONDAY – FRIDAY • OUTBOUND FROM DOWNTOWN**

	1	2	3	4	5	6	7	6	8
	Hudson Transit Center	Union Ave at Danny Thomas	Union Ave at Pasadena Pl	Union Ave at McLean Blvd	Union Ave at Hollywood St	Walnut Grove at Highland	Summer Ave at Baltic St	Walnut Grove at Highland	Walnut Grove at Racine St
AM	5:18	5:25	5:29	5:35	5:39	5:46	5:53	6:01	6:08
	5:48	5:55	5:59	6:05	6:09	6:16	6:23	6:31	6:38
	6:18	6:25	6:29	6:35	6:39	6:46	6:53	7:01	7:08
	6:48	6:55	6:59	7:05	7:09	7:16	7:23	7:31	7:38
	7:18	7:25	7:29	7:35	7:39	7:46	7:53	8:01	8:08
	7:48	7:55	7:59	8:05	8:09	8:16	8:23	8:31	8:38
	8:18	8:25	8:29	8:35	8:39	8:46	8:53	9:01	9:08
	8:48	8:55	8:59	9:05	9:09	9:16	9:23	9:31	9:38
	9:18	9:25	9:29	9:35	9:39	9:46	9:53	10:01	10:08
	9:48	9:55	9:59	10:05	10:09	10:16	10:23	10:31	10:38
	10:18	10:25	10:29	10:35	10:39	10:46	10:53	11:01	11:08
	10:48	10:55	10:59	11:05	11:09	11:16	11:23	11:31	11:38
	11:18	11:25	11:29	11:35	11:39	11:46	11:53	12:01	12:08
	11:48	11:55	11:59	12:05	12:09	12:16	12:23	12:31	12:38
PM	12:18	12:25	12:29	12:35	12:39	12:46	12:53	1:01	1:08
	12:48	12:55	12:59	1:05	1:09	1:16	1:23	1:31	1:38
	1:18	1:25	1:29	1:35	1:39	1:46	1:53	2:01	2:08
	1:48	1:55	1:59	2:05	2:09	2:16	2:23	2:31	2:38
	2:18	2:25	2:29	2:35	2:39	2:46	2:53	3:01	3:08
	2:48	2:55	2:59	3:05	3:09	3:16	3:23	3:31	3:38
	3:18	3:25	3:29	3:35	3:39	3:46	3:53	4:01	4:08
	3:48	3:55	3:59	4:05	4:09	4:16	4:23	4:31	4:38
	4:18	4:25	4:29	4:35	4:39	4:46	4:53	5:01	5:08
	4:48	4:55	4:59	5:05	5:09	5:16	5:23	5:31	5:38
	5:18	5:25	5:29	5:35	5:39	5:46	5:53	6:01	6:08
	5:48	5:55	5:59	6:05	6:09	6:16	6:23	6:31	6:38
	6:18	6:25	6:29	6:35	6:39	6:46	6:53	7:01	7:08
	7:48	7:55	7:59	8:05	8:09	8:16	8:23	8:31	8:38
9:18	9:25	9:29	9:35	9:39	9:46	9:53	10:01	10:08	
10:48	10:55	10:59	11:05	11:09	11:16	11:23	11:31	11:38	

## MONDAY – FRIDAY • INBOUND TO DOWNTOWN

	8	5	4	3	2	1
	Walnut Grove at Racine St	Union Ave at Hollywood St	Union Ave at McLean Blvd	Union Ave at Pasadena Pl	Union Ave at Danny Thomas	Hudson Transit Center
<b>AM</b>	6:15	6:18	6:23	6:28	6:32	6:38
	6:45	6:48	6:53	6:58	7:02	7:08
	7:15	7:18	7:23	7:28	7:32	7:38
	7:45	7:48	7:53	7:58	8:02	8:08
	8:15	8:18	8:23	8:28	8:32	8:38
	8:45	8:48	8:53	8:58	9:02	9:08
	9:15	9:18	9:23	9:28	9:32	9:38
	9:45	9:48	9:53	9:58	10:02	10:08
	10:15	10:18	10:23	10:28	10:32	10:38
	10:45	10:48	10:53	10:58	11:02	11:08
	11:15	11:18	11:23	11:28	11:32	11:38
	11:45	11:48	11:53	11:58	12:02	12:08
<b>PM</b>	12:15	12:18	12:23	12:28	12:32	12:38
	12:45	12:48	12:53	12:58	1:02	1:08
	1:15	1:18	1:23	1:28	1:32	1:38
	1:45	1:48	1:53	1:58	2:02	2:08
	2:15	2:18	2:23	2:28	2:32	2:38
	2:45	2:48	2:53	2:58	3:02	3:08
	3:15	3:18	3:23	3:28	3:32	3:38
	3:45	3:48	3:53	3:58	4:02	4:08
	4:15	4:18	4:23	4:28	4:32	4:38
	4:45	4:48	4:53	4:58	5:02	5:08
	5:15	5:18	5:23	5:28	5:32	5:38
	5:45	5:48	5:53	5:58	6:02	6:08
	6:15	6:18	6:23	6:28	6:32	6:38
	6:45	6:48	6:53	6:58	7:02	7:08
	7:15	7:18	7:23	7:28	7:32	7:38
	8:45	8:48	8:53	8:58	9:02	9:08
	10:15	10:18	10:23	10:28	10:32	10:38
	11:45	11:48	11:53	11:58	12:02	12:08

## SATURDAY • OUTBOUND FROM DOWNTOWN

	1	2	3	4	5	6	7	6	8
	Hudson Transit Center	Union Ave at Danny Thomas	Union Ave at Pasadena Pl	Union Ave at McLean Blvd	Union Ave at Hollywood St	Walnut Grove at Highland	Summer Ave at Baltic St	Walnut Grove at Highland	Walnut Grove at Racine St
<b>AM</b>	7:18	7:25	7:29	7:35	7:39	7:46	7:53	8:01	8:08
	8:48	8:55	8:59	9:05	9:09	9:16	9:23	9:31	9:38
	10:18	10:25	10:29	10:35	10:39	10:46	10:53	11:01	11:08
	11:48	11:55	11:59	12:05	12:09	12:16	12:23	12:31	12:38
<b>PM</b>	1:18	1:25	1:29	1:35	1:39	1:46	1:53	2:01	2:08
	2:48	2:55	2:59	3:05	3:09	3:16	3:23	3:31	3:38
	4:18	4:25	4:29	4:35	4:39	4:46	4:53	5:01	5:08
	5:48	5:55	5:59	6:05	6:09	6:16	6:23	6:31	6:38
	7:18	7:25	7:29	7:35	7:39	7:46	7:53	8:01	8:08

## SATURDAY • INBOUND TO DOWNTOWN

	8	5	4	3	2	1
	Walnut Grove at Racine St	Union Ave at Hollywood St	Union Ave at McLean Blvd	Union Ave at Pasadena PI	Union Ave at Danny Thomas	Hudson Transit Center
<b>AM</b>	8:15	8:18	8:23	8:28	8:32	8:38
	9:45	9:48	9:53	9:58	10:02	10:08
	11:15	11:18	11:23	11:28	11:32	11:38
<b>PM</b>	<b>12:45</b>	<b>12:48</b>	<b>12:53</b>	<b>12:58</b>	<b>1:02</b>	<b>1:08</b>
	2:15	2:18	2:23	2:28	2:32	2:38
	3:45	3:48	3:53	3:58	4:02	4:08
	5:15	5:18	5:23	5:28	5:32	5:38
	6:45	6:48	6:53	6:58	7:02	7:08
	8:15	8:18	8:23	8:28	8:32	8:38

## SUNDAY • OUTBOUND FROM DOWNTOWN

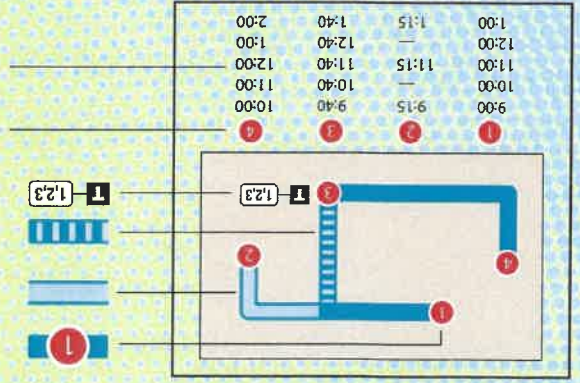
	1	2	3	4	5	6	7	6	8
	Hudson Transit Center	Union Ave at Danny Thomas	Union Ave at Pasadena PI	Union Ave at McLean Blvd	Union Ave at Hollywood St	Walnut Grove at Highland	Summer Ave at Baltic St	Walnut Grove at Highland	Walnut Grove at Racine St
<b>AM</b>	8:18	8:25	8:29	8:35	8:39	8:46	8:53	9:01	9:08
	9:48	9:55	9:59	10:05	10:09	10:16	10:23	10:31	10:38
	11:18	11:25	11:29	11:35	11:39	11:46	11:53	12:01	12:08
<b>PM</b>	<b>12:48</b>	<b>12:55</b>	<b>12:59</b>	<b>1:05</b>	<b>1:09</b>	<b>1:16</b>	<b>1:23</b>	<b>1:31</b>	<b>1:38</b>
	2:18	2:25	2:29	2:35	2:39	2:46	2:53	3:01	3:08
	3:48	3:55	3:59	4:05	4:09	4:16	4:23	4:31	4:38
	5:18	5:25	5:29	5:35	5:39	5:46	5:53	6:01	6:08

## SUNDAY • INBOUND TO DOWNTOWN

	8	5	4	3	2	1
	Walnut Grove at Racine St	Union Ave at Hollywood St	Union Ave at McLean Blvd	Union Ave at Pasadena PI	Union Ave at Danny Thomas	Hudson Transit Center
<b>AM</b>	9:15	9:18	9:23	9:28	9:32	9:38
	10:45	10:48	10:53	10:58	11:02	11:08
<b>PM</b>	<b>12:15</b>	<b>12:18</b>	<b>12:23</b>	<b>12:28</b>	<b>12:32</b>	<b>12:38</b>
	1:45	1:48	1:53	1:58	2:02	2:08
	3:15	3:18	3:23	3:28	3:32	3:38
	4:45	4:48	4:53	4:58	5:02	5:08
	6:15	6:18	6:23	6:28	6:32	6:38

Instructions

- The bus stops at this location at listed times.
- Look for the column of times below the matching symbol in the schedule.
- Only certain trips operate along this portion of the route.
- See the schedule for trips that provide service here.
- The bus operates express along this portion of the route.
- Transfer point shows where this bus intersects with other routes that are available for transfer.
- The bus stops at the times listed below the numbered symbol.
- Light times are A.M.; bold times are P.M.
- The timetable shows when the bus is scheduled to depart.
- Actual departure times may vary and depend upon traffic and weather conditions.
- Arrive at the bus stop about 10 minutes early to avoid missing the bus.



EFFECTIVE : 8/13/2023

# ROUTE 1 Union



## SERVING

- Binghamton
- Poplar Plaza Shopping Center
- Benjamin L. Hooks Central Library
- Board of Education
- Christian Brothers University
- Medical Center
- Hudson Transit Center

### MATA Fares

Adult Base Fare	\$1.00
*Student Base Fare	\$1.00
*Seniors/Disabled Base Fare	\$0.50
MATAplus Base Fare	\$2.00

### MULTI-RIDE PASSES

Daily FastPass	\$2.00
*Student Daily FastPass	\$2.00
*Senior/Disabled Daily FastPass	\$1.00

**\*MATA ID REQUIRED.**  
Seniors & people with disabilities must have a valid MATA ID for the reduced price.

Route schedules may be subject to change without notice.

### MATA Information

**Call Center & Customer Services**  
(901) 274 - MATA (6282)

**Airways Transit Center**  
3033 Airways Boulevard

**American Way Transit Center**  
3921 American Way

**Hudson Transit Center**  
444 N. Main Street

**MATA Administrative Offices**  
One Commerce Square Building  
40 S. Main Street

**MATA Operations Center**  
1370 Levee Road

Large print schedules are available upon request.  
All buses are wheelchair accessible.

Visit us at : [www.MATAt transit.com](http://www.MATAt transit.com)



(901) 274-6282  
[www.matatransit.com](http://www.matatransit.com)