

Route 39

South Third



DOWNTOWN MEMPHIS
(See Inset)

1

DOWNTOWN MEMPHIS

Hudson Transit Center
1,2,4,8,11,12,19,28,34,36,
39,40,50,52,53,57

1

A W Willis Ave
Shadvac Ave

St. Jude's Childrens
Research Hospital

Jackson Ave
Lauderdale
Alabama Ave

Cook
Convention
Center

Civic
Center

Poplar Ave
Adams Ave
Jefferson Ave

Monroe Ave
Union Ave

Southwest Tennessee
Community College

Riverside Dr
Front St
Main St
Second St
B B King Blvd

LEGEND

- █ Bus Route
- █ Horn Lake Branch
- █ Weaver and 3rd Branch
- █ Inbound only on Horn Lake Branch
- 1 Numbered Timepoint
- Transit Center
- Transfer Point
- 1,2,3 Connecting Routes
- Point of Interest
- Park/Ride Lot

©2014 MATA

MONDAY – FRIDAY • OUTBOUND FROM DOWNTOWN

	1 Hudson Transit Center	2 Third St at McLemore Ave	3 Third St at Peebles Rd	4 Horn Lake at Fairway Ave	6 Third St at Raines Rd	7 Holmes Rd at Third St	8 Jonetta St at Holmes Rd
AM	5:18	5:33	5:42	5:52	-----	-----	6:04
	5:48	6:03	6:12	-----	6:19	6:29	-----
	6:18	6:33	6:42	6:52	-----	-----	7:04
	6:48	7:03	7:12	-----	7:19	7:29	-----
	7:18	7:33	7:42	7:52	-----	-----	8:04
	7:48	8:03	8:12	-----	8:19	8:29	-----
	8:18	8:33	8:42	8:52	-----	-----	9:04
	8:48	9:03	9:12	-----	9:19	9:29	-----
	9:18	9:33	9:42	9:52	-----	-----	10:04
	9:48	10:03	10:12	-----	10:19	10:29	-----
	10:18	10:33	10:42	10:52	-----	-----	11:04
	10:48	11:03	11:12	-----	11:19	11:29	-----
	11:18	11:33	11:42	11:52	-----	-----	12:04
	11:48	12:03	12:12	-----	12:19	12:29	-----
PM	12:18	12:33	12:42	12:52	-----	-----	1:04
	12:48	1:03	1:12	-----	1:19	1:29	-----
	1:18	1:33	1:42	1:52	-----	-----	2:04
	1:48	2:03	2:12	-----	2:19	2:29	-----
	2:18	2:33	2:42	2:52	-----	-----	3:04
	2:48	3:03	3:12	-----	3:19	3:29	-----
	3:18	3:33	3:42	3:52	-----	-----	4:04
	3:48	4:03	4:12	-----	4:19	4:29	-----
	4:18	4:33	4:42	4:52	-----	-----	5:04
	4:48	5:03	5:12	-----	5:19	5:29	-----
	5:18	5:33	5:42	5:52	-----	-----	6:04
	5:48	6:03	6:12	-----	6:19	6:29	-----
	6:18	6:33	6:42	6:52	-----	-----	7:04
	6:48	7:03	7:12	-----	7:19	7:29	-----
7:48	8:03	8:12	-----	8:19	8:29	-----	
8:18	8:33	8:42	8:52	-----	-----	9:04	
8:48	9:03	9:12	-----	9:19	9:29	-----	
9:48	10:03	10:12	-----	10:19	10:29	-----	
10:18	10:33	10:42	10:52	-----	-----	11:04	

MONDAY – FRIDAY • INBOUND TO DOWNTOWN

	8	7	6	5	4	3	2	1
	Jonetta St at Holmes Rd	Holmes Rd at Third St	Third St at Raines Rd	Deerskin Dr at Moccasin Dr	Horn Lake Rd at Fairway Ave	Third St at Peebles Rd	Third St at McLemore	Hudson Transit Center
AM	6:09	-----	-----	6:26	6:32	6:44	6:55	7:08
	-----	6:57	7:05	-----	-----	7:14	7:25	7:38
	7:09	-----	-----	7:26	7:32	7:44	7:55	8:08
	-----	7:57	8:05	-----	-----	8:14	8:25	8:38
	8:09	-----	-----	8:26	8:32	8:44	8:55	9:08
	-----	8:57	9:05	-----	-----	9:14	9:25	9:38
	9:09	-----	-----	9:26	9:32	9:44	9:55	10:08
	-----	9:57	10:05	-----	-----	10:14	10:25	10:38
	10:09	-----	-----	10:26	10:32	10:44	10:55	11:08
	-----	10:57	11:05	-----	-----	11:14	11:25	11:38
	11:09	-----	-----	11:26	11:32	11:44	11:55	12:08
	-----	11:57	12:05	-----	-----	12:14	12:25	12:38
PM	12:09	-----	-----	12:26	12:32	12:44	12:55	1:08
	-----	12:57	1:05	-----	-----	1:14	1:25	1:38
	1:09	-----	-----	1:26	1:32	1:44	1:55	2:08
	-----	1:57	2:05	-----	-----	2:14	2:25	2:38
	2:09	-----	-----	2:26	2:32	2:44	2:55	3:08
	-----	2:57	3:05	-----	-----	3:14	3:25	3:38
	3:09	-----	-----	3:26	3:32	3:44	3:55	4:08
	-----	3:57	4:05	-----	-----	4:14	4:25	4:38
	4:09	-----	-----	4:26	4:32	4:44	4:55	5:08
	-----	4:57	5:05	-----	-----	5:14	5:25	5:38
	5:09	-----	-----	5:26	5:32	5:44	5:55	6:08
	-----	5:57	6:05	-----	-----	6:14	6:25	6:38
	6:09	-----	-----	6:26	6:32	6:44	6:55	7:08
	-----	6:57	7:05	-----	-----	7:14	7:25	7:38
	7:09	-----	-----	7:26	7:32	7:44	7:55	8:08
	-----	8:57	9:05	-----	-----	9:14	9:25	9:38
	9:09	-----	-----	9:26	9:32	9:44	9:55	10:08
	-----	10:57	11:05	-----	-----	11:14	11:25	11:38
	11:09	-----	-----	11:26	11:32	11:44	11:55	12:08

SATURDAY • OUTBOUND FROM DOWNTOWN

	1	2	3	4	6	7	8
	Hudson Transit Center	Third St at McLemore Ave	Third St at Peebles Rd	Horn Lake at Fairway Ave	Third St at Raines Rd	Holmes Rd at Third St	Jonetta St at Holmes Rd
AM	7:18	7:33	7:42	7:52	-----	-----	8:04
	7:48	8:03	8:12	-----	8:19	8:29	-----
	8:18	8:33	8:42	8:52	-----	-----	9:04
	8:48	9:03	9:12	-----	9:19	9:29	-----
	9:18	9:33	9:42	9:52	-----	-----	10:04
	9:48	10:03	10:12	-----	10:19	10:29	-----
	10:18	10:33	10:42	10:52	-----	-----	11:04
	10:48	11:03	11:12	-----	11:19	11:29	-----
	11:18	11:33	11:42	11:52	-----	-----	12:04
	11:48	12:03	12:12	-----	12:19	12:29	-----
PM	12:18	12:33	12:42	12:52	-----	-----	1:04
	12:48	1:03	1:12	-----	1:19	1:29	-----
	1:18	1:33	1:42	1:52	-----	-----	2:04
	1:48	2:03	2:12	-----	2:19	2:29	-----
	2:18	2:33	2:42	2:52	-----	-----	3:04
	2:48	3:03	3:12	-----	3:19	3:29	-----
	3:18	3:33	3:42	3:52	-----	-----	4:04
	3:48	4:03	4:12	-----	4:19	4:29	-----
	4:18	4:33	4:42	4:52	-----	-----	5:04
	4:48	5:03	5:12	-----	5:19	5:29	-----
	5:18	5:33	5:42	5:52	-----	-----	6:04
	5:48	6:03	6:12	-----	6:19	6:29	-----
	6:18	6:33	6:42	6:52	-----	-----	7:04
	6:48	7:03	7:12	-----	7:19	7:29	-----
	7:18	7:33	7:42	7:52	-----	-----	8:04

SATURDAY • INBOUND TO DOWNTOWN

	8	7	6	5	4	3	2	1
	Jonetta St at Holmes Rd	Holmes Rd at Third St	Third St at Raines Rd	Deerskin Dr at Moccasin Dr	Horn Lake Rd at Fairway Ave	Third St at Peebles Rd	Third St at McLemore	Hudson Transit Center
AM	8:09	-----	-----	8:26	8:32	8:44	8:55	9:08a
	-----	8:57	9:05	-----	-----	9:14	9:25	9:38a
	9:09	-----	-----	9:26	9:32	9:44	9:55	10:08a
	-----	9:57	10:05	-----	-----	10:14	10:25	10:38a
	10:09	-----	-----	10:26	10:32	10:44	10:55	11:08a
	-----	10:57	11:05	-----	-----	11:14	11:25	11:38a
	11:09	-----	-----	11:26	11:32	11:44	11:55	12:08p
	-----	11:57	12:05	-----	-----	12:14	12:25	12:38p
PM	12:09	-----	-----	12:26	12:32	12:44	12:55	1:08p
	-----	12:57	1:05	-----	-----	1:14	1:25	1:38p
	1:09	-----	-----	1:26	1:32	1:44	1:55	2:08p
	-----	1:57	2:05	-----	-----	2:14	2:25	2:38p
	2:09	-----	-----	2:26	2:32	2:44	2:55	3:08p
	-----	2:57	3:05	-----	-----	3:14	3:25	3:38p
	3:09	-----	-----	3:26	3:32	3:44	3:55	4:08p
	-----	3:57	4:05	-----	-----	4:14	4:25	4:38p
	4:09	-----	-----	4:26	4:32	4:44	4:55	5:08p
	-----	4:57	5:05	-----	-----	5:14	5:25	5:38p
	5:09	-----	-----	5:26	5:32	5:44	5:55	6:08p
	-----	5:57	6:05	-----	-----	6:14	6:25	6:38p
	6:09	-----	-----	6:26	6:32	6:44	6:55	7:08p
	-----	6:57	7:05	-----	-----	7:14	7:25	7:38p
	7:09	-----	-----	7:26	7:32	7:44	7:55	8:08p
	-----	7:57	8:05	-----	-----	8:14	8:25	8:38p
	8:09	-----	-----	8:26	8:32	8:44	8:55	9:08p

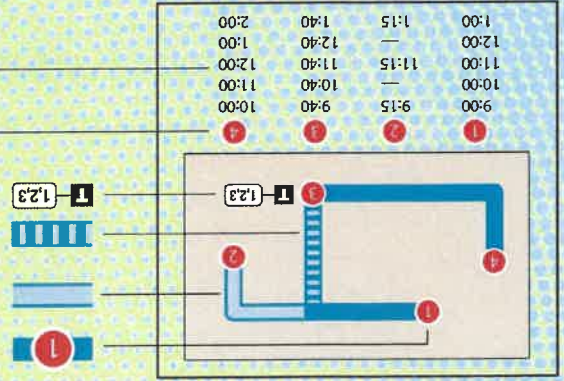
SUNDAY • OUTBOUND FROM DOWNTOWN

	1 Hudson Transit Center	2 Third St at McLemore Ave	3 Third St at Peebles Rd	4 Horn Lake at Fairway Ave	6 Third St at Raines Rd	7 Holmes Rd at Third St	8 Jonetta St at Holmes Rd
AM	8:18	8:33	8:42	8:52	-----	-----	9:04
	8:48	9:03	9:12	-----	9:19	9:29	-----
	9:18	9:33	9:42	9:52	-----	-----	10:04
	9:48	10:03	10:12	-----	10:19	10:29	-----
	10:18	10:33	10:42	10:52	-----	-----	11:04
	10:48	11:03	11:12	-----	11:19	11:29	-----
	11:18	11:33	11:42	11:52	-----	-----	12:04
	11:48	12:03	12:12	-----	12:19	12:29	-----
PM	12:18	12:33	12:42	12:52	-----	-----	1:04
	12:48	1:03	1:12	-----	1:19	1:29	-----
	1:18	1:33	1:42	1:52	-----	-----	2:04
	1:48	2:03	2:12	-----	2:19	2:29	-----
	2:18	2:33	2:42	2:52	-----	-----	3:04
	2:48	3:03	3:12	-----	3:19	3:29	-----
	3:18	3:33	3:42	3:52	-----	-----	4:04
	3:48	4:03	4:12	-----	4:19	4:29	-----
	4:18	4:33	4:42	4:52	-----	-----	5:04

	8 Jonetta St at Holmes Rd	7 Holmes Rd at Third St	6 Third St at Raines Rd	5 Deerskin Dr at Moccasin Dr	4 Horn Lake Rd at Fairway Ave	3 Third St at Peebles Rd	2 Third St at McLemore	1 Hudson Transit Center
AM	9:09	-----	-----	9:26	9:32	9:44	9:55	10:08
	-----	9:57	10:05	-----	-----	10:14	10:25	10:38
	10:09	-----	-----	10:26	10:32	10:44	10:55	11:08
	-----	10:57	11:05	-----	-----	11:14	11:25	11:38
	11:09	-----	-----	11:26	11:32	11:44	11:55	12:08
	-----	11:57	12:05	-----	-----	12:14	12:25	12:38
PM	12:09	-----	-----	12:26	12:32	12:44	12:55	1:08
	-----	12:57	1:05	-----	-----	1:14	1:25	1:38
	1:09	-----	-----	1:26	1:32	1:44	1:55	2:08
	-----	1:57	2:05	-----	-----	2:14	2:25	2:38
	2:09	-----	-----	2:26	2:32	2:44	2:55	3:08
	-----	2:57	3:05	-----	-----	3:14	3:25	3:38
	3:09	-----	-----	3:26	3:32	3:44	3:55	4:08
	-----	3:57	4:05	-----	-----	4:14	4:25	4:38
	4:09	-----	-----	4:26	4:32	4:44	4:55	5:08
	-----	4:57	5:05	-----	-----	5:14	5:25	5:38
	5:09	-----	-----	5:26	5:32	5:44	5:55	6:08

Instructions

- The bus stops at this location at listed times.
- Look for the column of times below the matching symbol in the schedule.
- Only certain trips operate along this portion of the route.
- See the schedule for trips that provide service here.
- The bus operates express along this portion of the route.
- Transfer point shows where this bus intersects with other routes that are available for transfer.
- The bus stops at the times listed below the numbered symbol.
- Light times are A.M.; bold times are P.M.
- The timetable shows when the bus is scheduled to depart.
- Actual departure times may vary and depend upon traffic and weather conditions.
- Arrive at the bus stop about 10 minutes early to avoid missing the bus.



1	9:00	11:00	12:00	1:00
2	9:15	11:15	12:40	1:40
3	9:40	11:40	1:00	2:00
4	10:00	12:00	1:00	2:00

MATA Fares

Adult Base Fare.....	\$1.00
*Student Base Fare.....	\$1.00
*Seniors/Disabled Base Fare.....	\$0.50
MATAplus Base Fare.....	\$2.00

MULTI-RIDE PASSES

Daily FastPass.....	\$2.00
*Student Daily FastPass.....	\$2.00
*Senior/Disabled Daily FastPass.....	\$1.00

***MATA ID REQUIRED.**
Seniors & people with disabilities must have a valid MATA ID for the reduced price.

Route schedules may be subject to change without notice.

MATA Information

Call Center & Customer Services
(901) 274 - MATA (6282)

Airways Transit Center
3033 Airways Boulevard

American Way Transit Center
3921 American Way

Hudson Transit Center
444 N. Main Street

MATA Administrative Offices
One Commerce Square Building
40 S. Main Street

MATA Operations Center
1370 Levee Road

Large print schedules are available upon request.
All buses are wheelchair accessible.

Visit us at : www.MATATransit.com

EFFECTIVE : 8/13/2023

ROUTE
39
South Third



SERVING

- Westwood
- Southgate Shopping Center
- Main Post Office
- Downtown Memphis
- Hudson Transit Center



(901) 274-6282
www.matatransit.com